



Model No. DPF-1105-XFYP
1105nm DPSS LASER UP TO >500mW

The DPF-series 1105 nm LD pumped all-solid-state laser is constructed with features of high stability, FDA compliance, ultra-compactness, long lifetime, low cost and easy operating. It is widely used in scientific experiment, measurement, optical instrument, optical sensor, communication, spectrum analysis and many other applications.

SPECIFICATIONS

Model No.	DPF-1105-XFYP
Wavelength (nm)	1105±1
Output power (mW)	>30 (X=30), >50 (X=50), >100 (X=100), >200 (X=200), >300 (X=300), >400 (X=400), >500 (X=500)
Transverse mode	Near TEM ₀₀
Operating mode	CW
Power stability (rms, over 4 hours)	<5% (P=A), <3% (P=E), <2% (P=2)
Dimensions of beam at aperture (1/e², mm)	~3.0
Beam divergence, full angle (mrad)	<2.0
M² factor	<2.0
Warm-up time (minutes)	<10
Beam height from base plate (mm)	45
Operating temperature (°C)	10~35
Laser head	211(L)×88(W) ×74(H) mm ³ ; 1.6kg
Power supply (90-240VAC)	High Power Elite Power Supply (Y=H): 275(L) ×146(W) ×104(H) mm ³ , 2.3kg with complete FDA compliant features, such as the turnkey switch and interlock, and easy to operate; CW mode High Power Laboratory Power Supply (Y=M): 277(L) ×145(W) ×106 (H) mm ³ , 2.6kg with complete FDA compliant features, such as the turnkey switch and interlock, and more functions; CW mode with the adjustable output power knob and operating current LED display
Expected lifetime (hours)	10,000
Warranty	10 months
Remarks	The stability of output power is promised at the maximum output power only. The stability of output power may change when you adjust the output power.

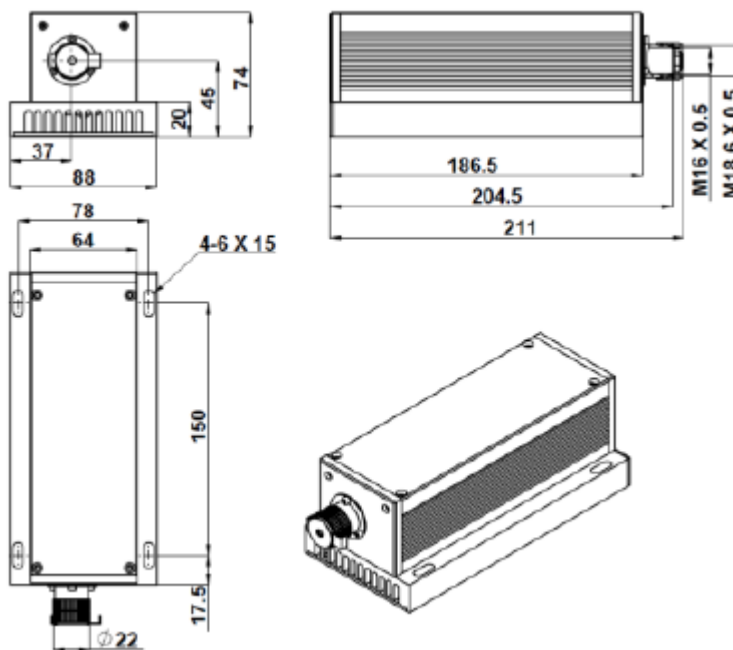
Note: The above specifications are subject to change without notice.





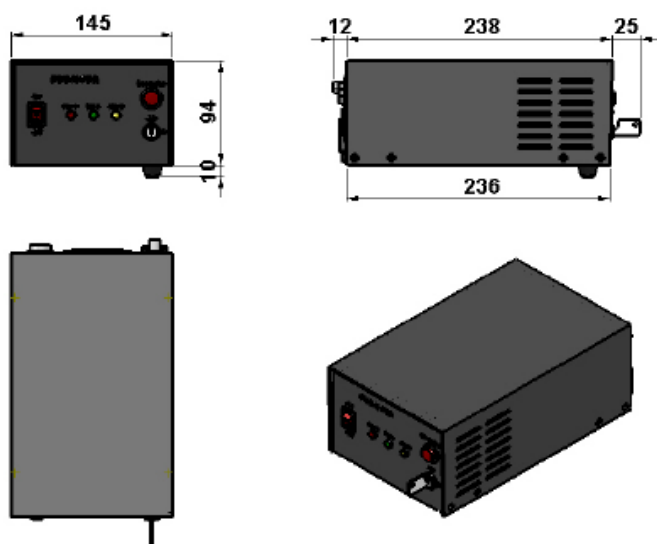
Mechanical Outline (unit: mm)

Laser Head



Power Supply

High Power Elite Power Supply (Y=H)



High Power Laboratory Power Supply (Y=M)



Note: The above specifications are subject to change without notice.

