

**Model No. DP-671-XFYP2Q**  
**671nm DPSS LASER UP TO >200mW**

The DP-series 671nm LD pumped all-solid-state laser is constructed with features of high stability, FDA compliance, good beam quality TEM<sub>00</sub>, ultra-compactness, long lifetime, low cost and easy operating. It is widely used in measurement, spectrum analysis, laser lighting show and many other applications.

**SPECIFICATIONS**

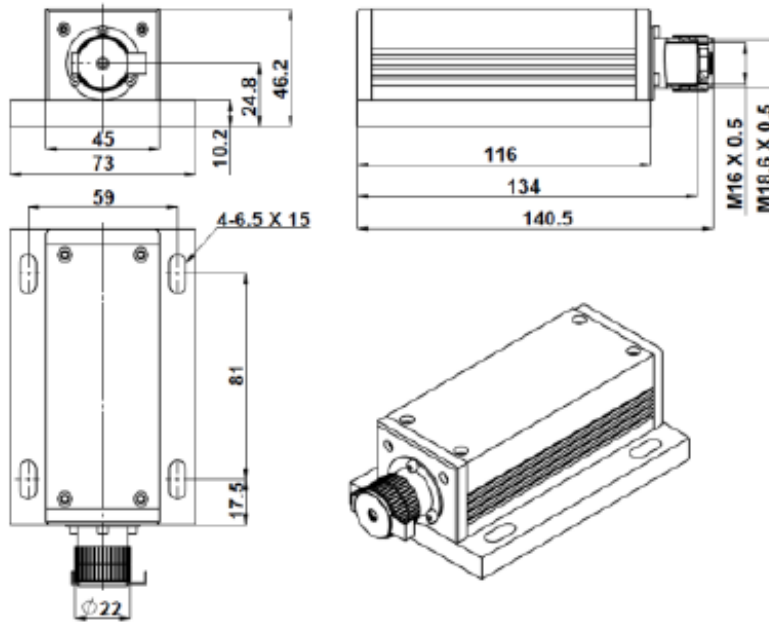
<b>Model No.</b>	<b>DP-671-XFYP2Q</b>
<b>Wavelength (nm)</b>	671±1
<b>Output power (mW)</b>	>100 (X=100), >200 (X=200)
<b>Transverse mode</b>	TEM <sub>00</sub>
<b>Operating mode</b>	CW
<b>Power stability (rms, over 4 hours)</b>	<3% (P=E), <2% (P=2)
<b>Dimensions of beam at aperture (1/e<sup>2</sup>, mm)</b>	~1.2
<b>Beam divergence, full angle (mrad)</b>	<1.5
<b>M<sup>2</sup> factor</b>	<1.2
<b>Polarization ratio</b>	>100:1
<b>Warm-up time (minutes)</b>	<10
<b>Pointing stability after warm-up (mrad)</b>	<0.05
<b>Beam height from base plate (mm)</b>	24.8
<b>Operating temperature (°C)</b>	10~35
<b>Laser head</b>	140.5(L) x 73(W) x 46.2(H) mm <sup>3</sup> , 0.6kg
<b>Power supply (90-240VAC)</b>	<b>Elite Power supply (Y=E):</b> 133(L) x 130(W) x 62.2 (H) mm <sup>3</sup> , 1.2kg; with complete FDA compliant features, such as the turnkey switch and interlock, and easy to operate; CW mode with optional TTL modulation up to 10kHz  <b>Laboratory Power supply (Y=L):</b> 153(L) x 155(W) x 92 (H) mm <sup>3</sup> , 1.5kg; with complete FDA compliant features, such as the turnkey switch and interlock, and other functions; CW mode with the adjustable output power knob, the operating current LED display, and optional TTL/Analog modulations up to 10kHz
<b>Optional Modulation</b>	None (Q=0) TTL: 1Hz -1kHz (Q=1), 1kHz -10kHz (Q=2) Analog: 1Hz -1kHz (Q=3), 1kHz -10kHz (Q=4)
<b>Expected lifetime (hours)</b>	10,000
<b>Warranty</b>	10 months

**Note: The above specifications are subject to change without notice.**



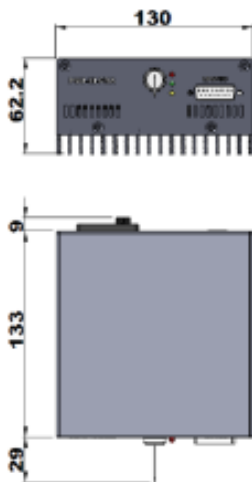
**Mechanical Outline (unit: mm)**

**Laser Head**

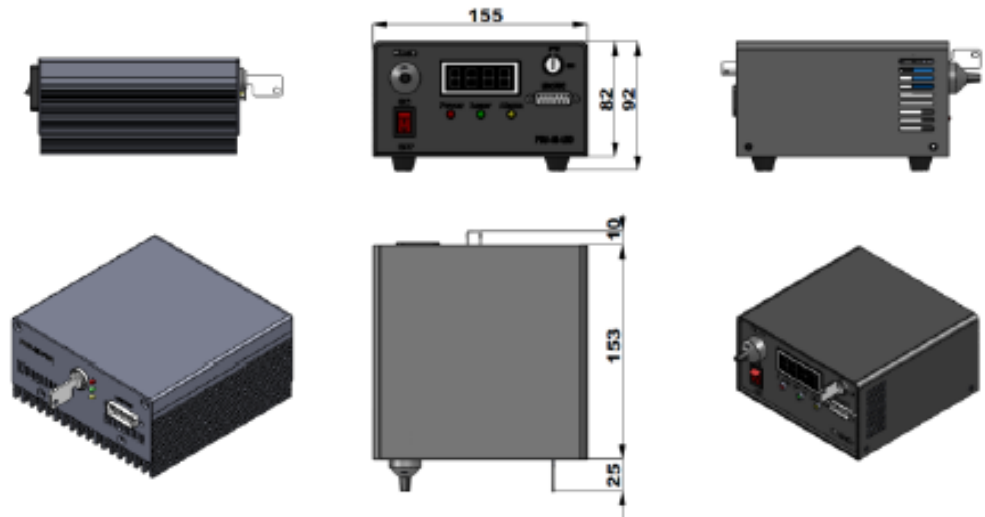


**Power Supply**

**Elite Power Supply (Y=E):**



**Laboratory Power Supply (Y=L):**



**Note: The above specifications are subject to change without notice.**

