

Model No. DP-656-XFYP
656.5nm DPSS LASER UP TO >50mW

The DP-series 656.5nm LD pumped all-solid-state laser is constructed with features of high stability, FDA compliance, ultra-compactness, long lifetime, low cost and easy operating. It is widely used in measurement, medical, spectrum analysis, and many other applications.

SPECIFICATIONS

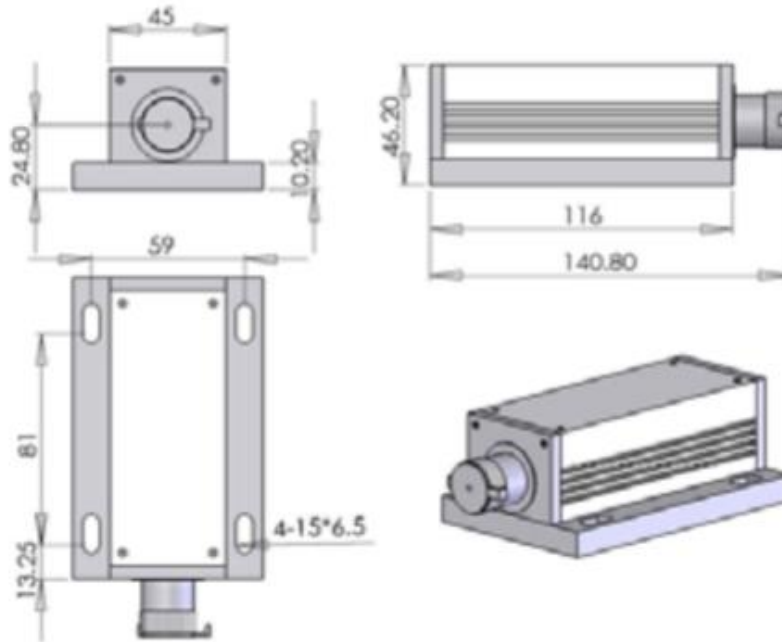
Model No.	DP-656-XFYP
Wavelength (nm)	656.5±1
Output power (mW)	>30 (X=30), >50 (X=50)
Transverse mode	Near TEM ₀₀
Operating mode	CW
Power stability (rms, over 4 hours)	<10% (P=B), <5% (P=A)
Dimensions of beam at aperture (1/e², mm)	~1.2
Beam divergence, full angle (mrad)	<1.5
M² factor	<1.2
Polarization ratio	>50:1
Warm-up time (minutes)	<10
Pointing stability after warm-up (mrad)	<0.05
Beam height from base plate (mm)	24.8
Operating temperature (°C)	10~35
Laser head	140.8(L) x 73(W) x 46.2(H) mm ³ , 0.6kg
Power supply (90-240VAC)	Elite Power supply (Y=E): 133(L) x 130(W) x 65 (H) mm ³ , 1.2kg; with complete FDA compliant features, such as the turnkey switch and interlock, and easy to operate; CW mode Laboratory Power supply (Y=L): 153(L) x 155(W) x 92 (H) mm ³ , 1.5kg; with complete FDA compliant features, such as the turnkey switch and interlock, and other functions; CW mode with the adjustable output power knob, and operating current LED display
Expected lifetime (hours)	10,000
Warranty	10 months

Note: The above specifications are subject to change without notice.



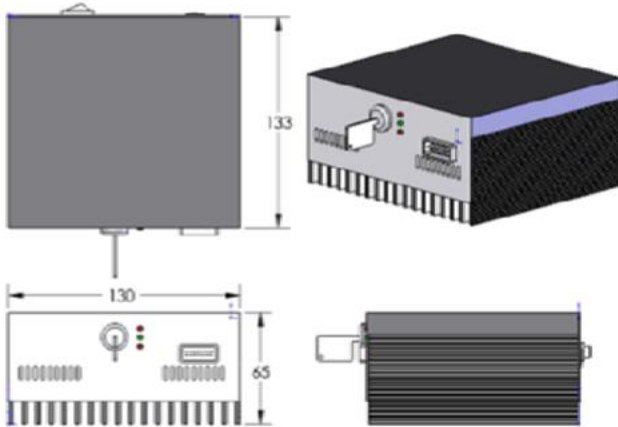
Mechanical Outline (unit: mm)

Laser Head



Power Supply

Elite Power Supply (Y=E):



Laboratory Power Supply (Y=L):



Note: The above specifications are subject to change without notice.

