

Model No. DP-1444-XFYPZQ
1444nm DPSS LASER UP TO >400mW

The DP-series 1444 nm LD pumped all-solid-state laser is constructed with features of high stability, low noise option, FDA compliance, ultra-compactness, long lifetime, low cost and easy operating. It is widely used in scientific experiment, optical sensor, measurement, instrument, communication, spectrum analysis, and many other applications.

SPECIFICATIONS

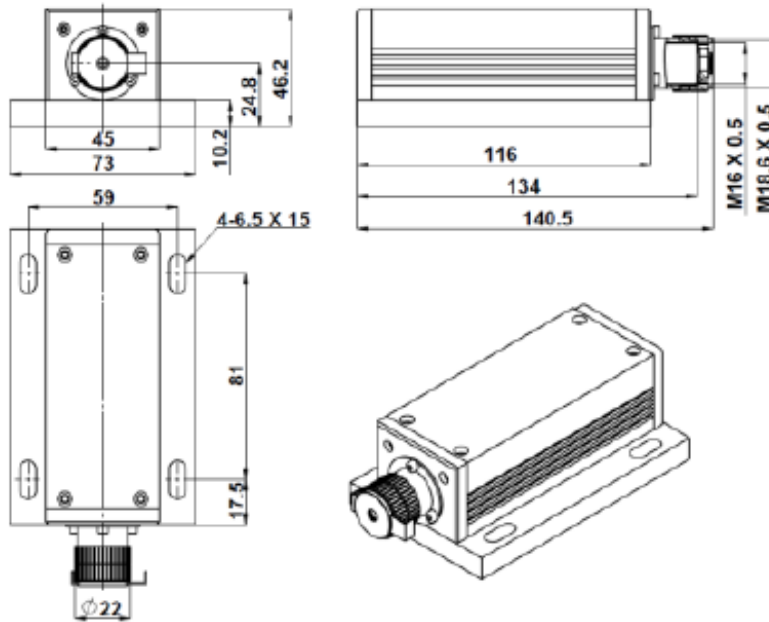
Model No.	DP-1444-XFYPZQ	
Wavelength (nm)	1444±2	
Output power (mW)	>50 (X=50), >80 (X=80), >100 (X=100), >200 (X=200)	>300 (X=300), >400 (X=400)
Transverse mode	Near TEM ₀₀	
Operating mode	CW	
Power stability (rms, over 4 hours)	<5% (P=A), <3% (P=E), <2% (P=2)	<5% (P=A), <3% (P=E)
Noise of amplitude (rms, 20Hz-20MHz)	<1% for Low Noise (Z=1); >1% (Z=2)	
Dimensions of beam at aperture (1/e², mm)	~1.5	
Beam divergence, full angle (mrad)	<1.5	
M² factor	<1.5	
Warm-up time (minutes)	<10	
Pointing stability after warm-up (mrad)	<0.05	
Beam height from base plate (mm)	24.8	
Operating temperature (°C)	10~35	
Laser head	140.5(L) x 73(W) x 46.2(H) mm ³ , 0.6kg	
Power supply (90-240VAC)	<p>Elite Power supply (Y=E): 133(L) x 130(W) x 62.2 (H) mm³, 1.2kg; with complete FDA compliant features, such as the turnkey switch and interlock, and easy to operate; CW mode with optional TTL modulation up to 10kHz</p> <p>Laboratory Power supply (Y=L): 153(L) x 155(W) x 92 (H) mm³, 1.5kg; with complete FDA compliant features, such as the turnkey switch and interlock, and other functions; CW mode with the adjustable output power knob, the operating current LED display, and optional TTL/Analog modulations up to 10kHz</p>	
Modulation option	<p>None (Q=0)</p> <p>TTL: 1Hz -1kHz (Q=1), 1kHz -10kHz (Q=2)</p> <p>Analog: 1Hz -1kHz (Q=3), 1kHz -10kHz (Q=4)</p> <p>**Note: Modulation option only available for Z=2.</p>	
Expected lifetime (hours)	10,000	
Warranty	10 months	

Note: The above specifications are subject to change without notice.



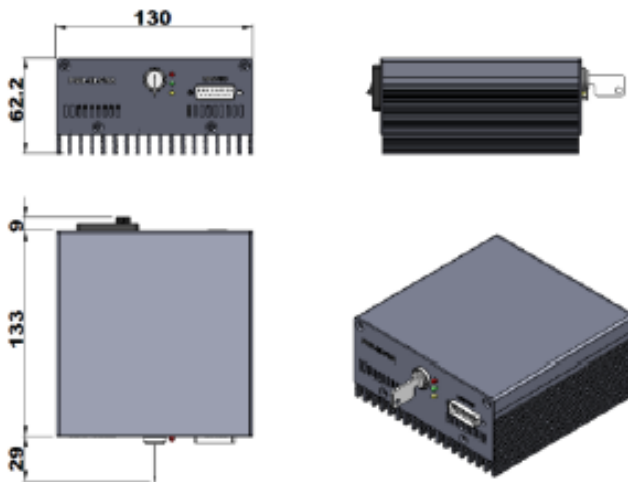
Mechanical Outline (unit: mm)

Laser Head

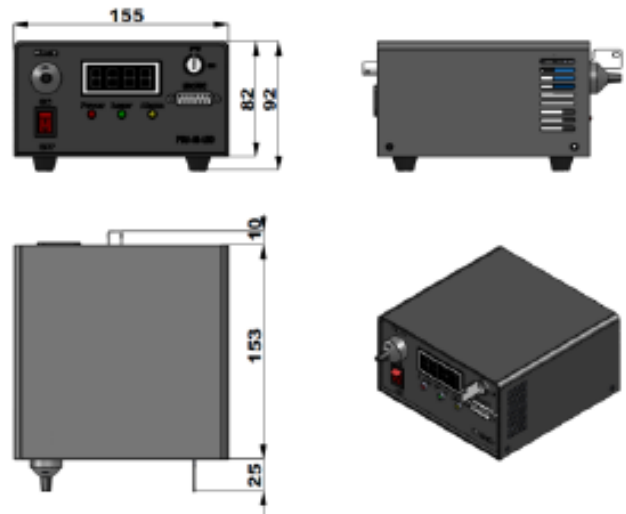


Power Supply

Elite Power Supply (Y=E):



Laboratory Power Supply (Y=L):



Note: The above specifications are subject to change without notice.

