

Model No. DP-1112-XFYPZQ
1112nm DPSS LASER UP TO >100mW

The DP-series 1112 nm LD pumped all-solid-state laser is constructed with features of high stability, low noise option, FDA compliance, good beam quality TEM₀₀, ultra-compactness, long lifetime, low cost and easy operating. It is widely used in scientific experiment, optical sensor, measurement, instrument, communication, spectrum analysis, and many other applications.

SPECIFICATIONS

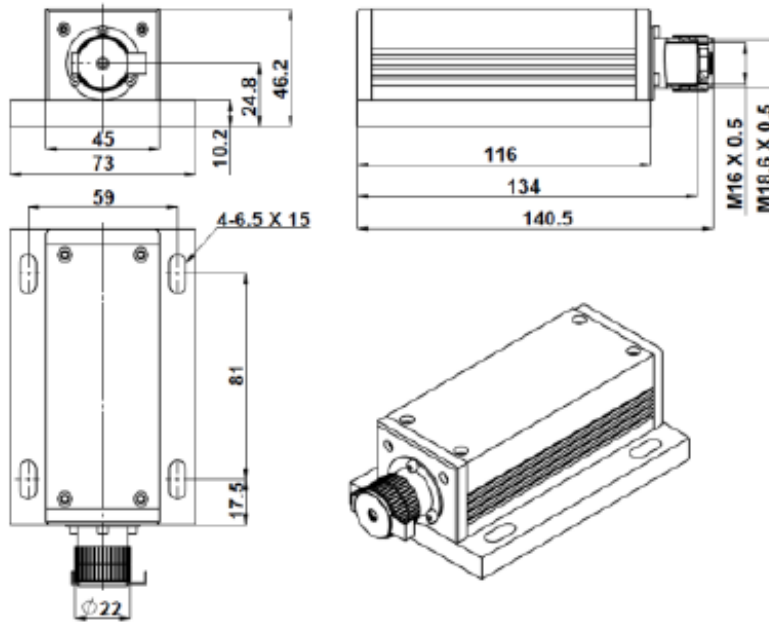
| | | |
|---|--|---------------------------------|
| Model No. | DP-1112-XFYPZQ | |
| Wavelength (nm) | 1112±3 | |
| Output power (mW) | >50 (X=50) | >80 (X=80), >100 (X=100) |
| Transverse mode | TEM ₀₀ | |
| Operating mode | CW | |
| Power stability (rms, over 4 hours) | <5% (P=A), <3% (P=E), <2% (P=2), <1% (P=D) | <5% (P=A), <3% (P=E), <2% (P=2) |
| Noise of amplitude (rms, 20Hz-20MHz) | <1% for Low Noise (Z=1); >1% (Z=2) | |
| Dimensions of beam at aperture (1/e², mm) | ~1.5 | |
| Beam divergence, full angle (mrad) | <1.5 | |
| M² factor | <1.5 | |
| Warm-up time (minutes) | <10 | |
| Pointing stability after warm-up (mrad) | <0.05 | |
| Beam height from base plate (mm) | 24.8 | |
| Operating temperature (°C) | 10~35 | |
| Laser head | 140.5(L) x 73(W) x 46.2(H) mm ³ , 0.6kg | |
| Power supply (90-240VAC) | <p>Elite Power supply (Y=E): 133(L) x 130(W) x 62.2 (H) mm³, 1.2kg; with complete FDA compliant features, such as the turnkey switch and interlock, and easy to operate; CW mode with optional TTL modulation up to 10kHz **Note: If with Low Noise Z=1, then only Y=E.</p> <p>Laboratory Power supply (Y=L): 153(L) x 155(W) x 92 (H) mm³, 1.5kg; with complete FDA compliant features, such as the turnkey switch and interlock, and other functions; CW mode with the adjustable output power knob, the operating current LED display, and optional TTL/Analog modulations up to 10kHz</p> | |
| Modulation option | None (Q=0) TTL: 1Hz -1kHz (Q=1), 1kHz -10kHz (Q=2) Analog: 1Hz -1kHz (Q=3), 1kHz -10kHz (Q=4) **Note: Modulation option only available for Z=2. | |
| Expected lifetime (hours) | 10,000 | |
| Warranty | 10 months | |

Note: The above specifications are subject to change without notice.



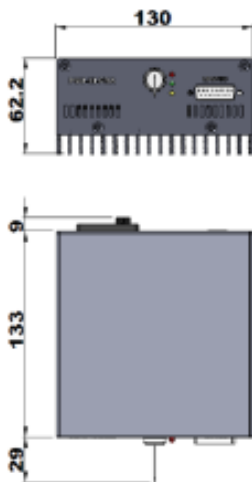
Mechanical Outline (unit: mm)

Laser Head

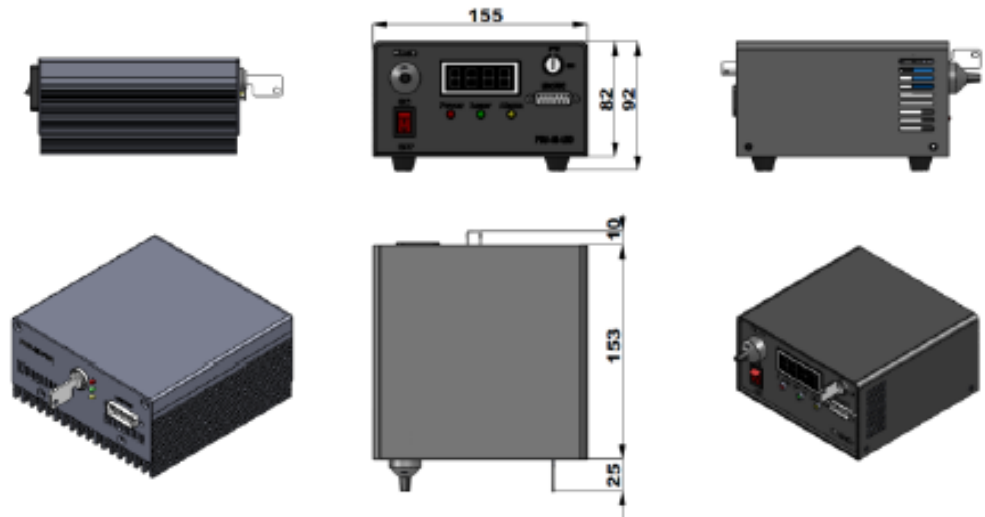


Power Supply

Elite Power Supply (Y=E):



Laboratory Power Supply (Y=L):



Note: The above specifications are subject to change without notice.

