



Model No. DP-1064-XFYPZQ
1064nm DPSS LASER UP TO >1500mW

The DP-series 1064 nm LD pumped all-solid-state laser is constructed with features of high stability, low noise option, FDA compliance, good beam quality TEM00, ultra-compactness, long lifetime, cost-effectiveness and easy operating. It is widely used in scientific experiment, optical sensor, measurement, instrument, communication, spectrum analysis, and many other applications.

SPECIFICATIONS

Model No.	DP-1064-XFYPZQ	
Wavelength (nm)	1064±1	
Output power (mW)	>300 (X=300), >500 (X=500), >800 (X=800), >1000 (X=1W)	>1500 (X=1500)
Laser crystal	Nd:YVO ₄	
Transverse mode	TEM ₀₀	
Operating mode	CW	
Power stability (rms, over 4 hours)	<3% (P=E), <2% (P=2), <1% (P=D)	<3% (P=E), <2% (P=2)
Noise of amplitude (rms, 20Hz-20MHz)	<1% for Low Noise (Z=1); >1% (Z=2)	
Dimensions of beam at aperture (1/e², mm)	~1.5	
Beam divergence, full angle (mrad)	<1.5	
M² factor	<1.5	
Polarization ratio	>100:1, Horizontal ±5 degree	
Warm-up time (minutes)	<10	
Pointing stability after warm-up (mrad)	<0.05	
Beam height from base plate (mm)	24.8	
Operating temperature (°C)	10~35	
Laser head	140.5(L) x 73(W) x 46.2(H) mm ³ , 0.6kg	
Power supply (90-240VAC)	<p>Elite Power supply (Y=E): 133(L) x 130(W) x 62.2 (H) mm³, 1.2kg; with complete FDA compliant features, such as the turnkey switch and interlock, and easy to operate; CW mode with optional TTL modulation up to 10kHz **Note: If with Low Noise Z=1, then only Y=E.</p> <p>Laboratory Power supply (Y=L): 153(L) x 155(W) x 92 (H) mm³, 1.5kg; with complete FDA compliant features, such as the turnkey switch and interlock, and other functions; CW mode with the adjustable output power knob, the operating current LED display, and optional TTL/Analog modulations up to 10kHz</p>	
Modulation option	None (Q=0) TTL: 1Hz -1kHz (Q=1), 1kHz -10kHz (Q=2) Analog: 1Hz -1kHz (Q=3), 1kHz -10kHz (Q=4)	
Expected lifetime (hours)	10,000	
Warranty	10 months	

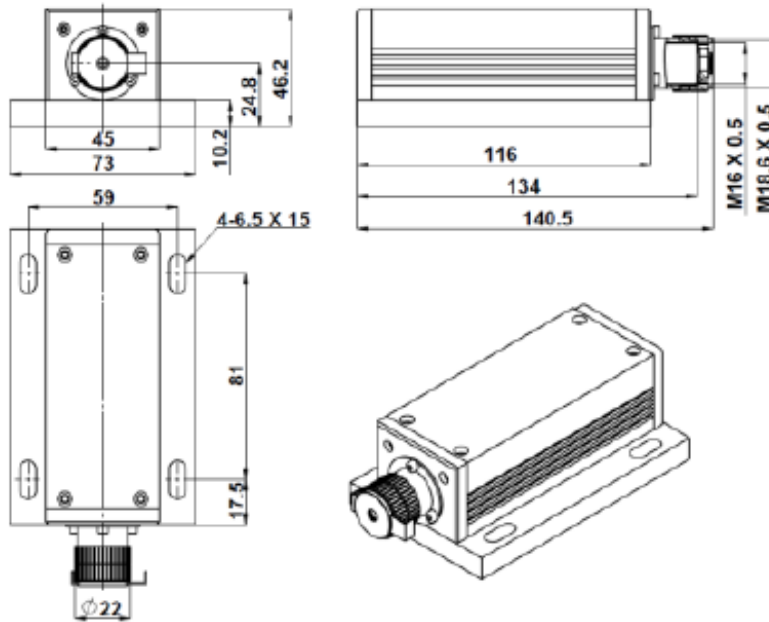
Note: The above specifications are subject to change without notice.





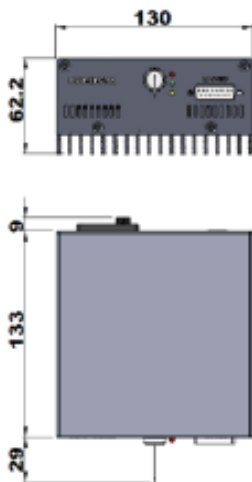
Mechanical Outline (unit: mm)

Laser Head

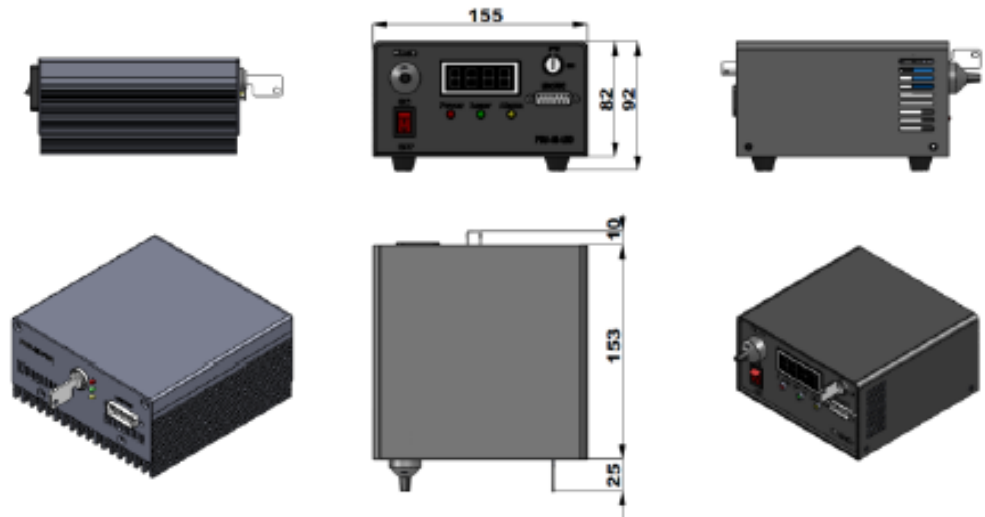


Power Supply

Elite Power Supply (Y=E):



Laboratory Power Supply (Y=L):



Note: The above specifications are subject to change without notice.

