

**Model No. DP-1053-XFYPZQ**  
**1053nm DPSS LASER UP TO >500mW**

The DP-series 1053 nm LD pumped all-solid-state laser is constructed with features of high stability, low noise option, FDA compliance, good beam quality TEM<sub>00</sub>, ultra-compactness, long lifetime, low cost and easy operating. It is widely used in scientific experiment, optical sensor, measurement, instrument, communication, spectrum analysis, and many other applications.

**SPECIFICATIONS**

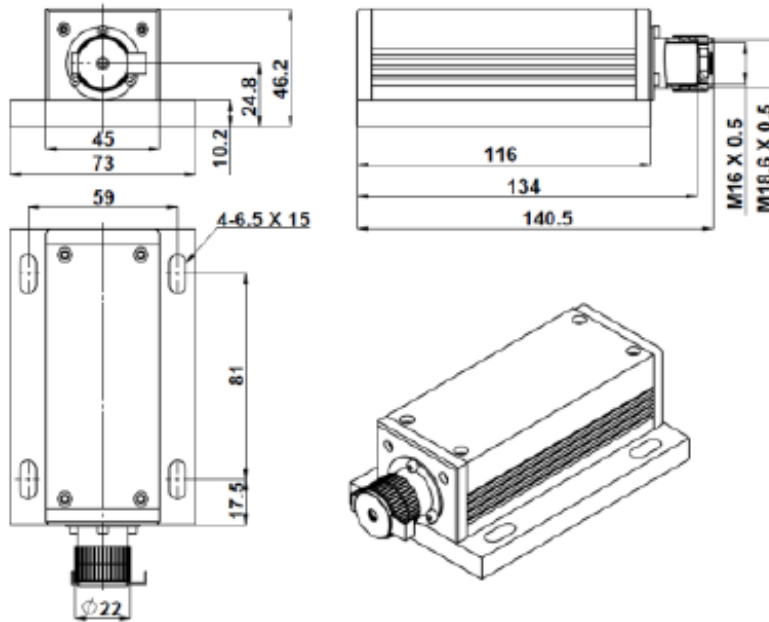
<b>Model No.</b>	<b>DP-1053-XFYPZQ</b>	
<b>Wavelength (nm)</b>	1053±1	
<b>Output power (mW)</b>	>100 (X=100), >200 (X=200)	>300 (X=300), >500 (X=500)
<b>Laser crystal</b>	Nd:YLF	
<b>Transverse mode</b>	TEM <sub>00</sub>	
<b>Operating mode</b>	CW	
<b>Power stability (rms, over 4 hours)</b>	<5% (P=A), <3% (P=E), <2% (P=2), <1% (P=D)	<5% (P=A), <3% (P=E), <2% (P=2)
<b>Noise of amplitude (rms, 20Hz-20MHz)</b>	<1% for Low Noise (Z=1); >1% (Z=2)	
<b>Dimensions of beam at aperture (1/e<sup>2</sup>, mm)</b>	~1.5	
<b>Beam divergence, full angle (mrad)</b>	<1.5	
<b>M<sup>2</sup> factor</b>	<1.5	
<b>Polarization ratio</b>	>100:1, Horizontal ±5 degree	
<b>Warm-up time (minutes)</b>	<10	
<b>Pointing stability after warm-up (mrad)</b>	<0.05	
<b>Beam height from base plate (mm)</b>	24.8	
<b>Operating temperature (°C)</b>	10~35	
<b>Laser head</b>	140.5(L) x 73(W) x 46.2(H) mm <sup>3</sup> , 0.6kg	
<b>Power supply (90-240VAC)</b>	<p><b>Elite Power supply (Y=E):</b> 133(L) x 130(W) x 62.2 (H) mm<sup>3</sup>, 1.2kg; with complete FDA compliant features, such as the turnkey switch and interlock, and easy to operate; CW mode with optional TTL modulation up to 10kHz **Note: If with Low Noise Z=1, then only Y=E.</p> <p><b>Laboratory Power supply (Y=L):</b> 153(L) x 155(W) x 92 (H) mm<sup>3</sup>, 1.5kg; with complete FDA compliant features, such as the turnkey switch and interlock, and other functions; CW mode with the adjustable output power knob, the operating current LED display, and optional TTL/Analog modulations up to 10kHz</p>	
<b>Modulation option</b>	<p>None (Q=0)  <b>TTL:</b> 1Hz -1kHz (Q=1), 1kHz -10kHz (Q=2)  <b>Analog:</b> 1Hz -1kHz (Q=3), 1kHz -10kHz (Q=4)  **Note: Modulation option only available for Z=2.</p>	
<b>Expected lifetime (hours)</b>	10,000	
<b>Warranty</b>	10 months	

**Note: The above specifications are subject to change without notice.**



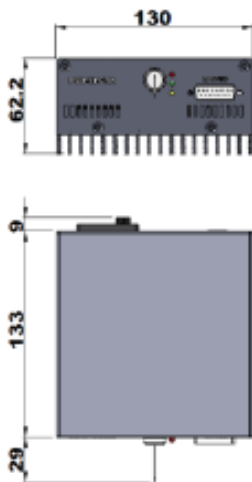
**Mechanical Outline (unit: mm)**

**Laser Head**

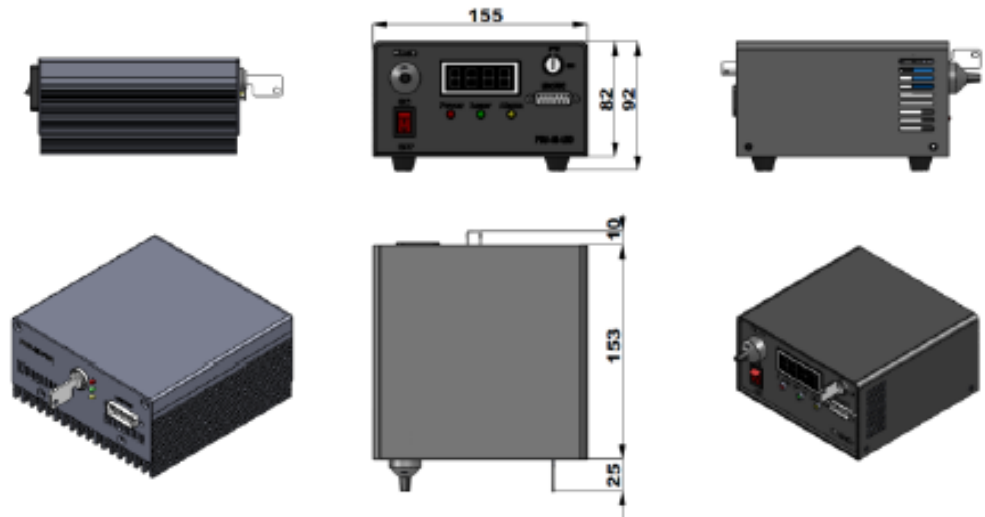


**Power Supply**

**Elite Power Supply (Y=E):**



**Laboratory Power Supply (Y=L):**



**Note: The above specifications are subject to change without notice.**

