



**Model No. DLTF-785-XFYDQ**  
**785nm TEM<sub>00</sub> DIODE LASER UP TO >40mW**

The DLTF-series 785 nm diode laser is constructed with features of TEM00 mode, FDA compliance, ultra-compact design, long lifetime, cost-effectiveness, and easy operation. It is widely used in measurement, communication, spectrum analysis, and many other applications.

**SPECIFICATIONS**

<b>Model No.</b>	<b>DLTF-785-XFYDQ</b>
<b>Wavelength (nm)</b>	785±5
<b>Output power (mW)</b>	>10 (X=10), >40 (X=40)
<b>Transverse mode</b>	TEM <sub>00</sub>
<b>Operating mode</b>	CW
<b>Power stability (rms, over 4 hours) 25°C</b>	<1%
<b>Ellipticity</b>	>0.95
<b>M<sup>2</sup> factor</b>	<1.1
<b>Dimensions of beam at aperture (1/e<sup>2</sup>, mm)</b>	~1.0
<b>Beam divergence, full angle (mrad)</b>	<1.5
<b>Warm-up time (minutes)</b>	<5
<b>Beam height from base plate (mm)</b>	25
<b>Operating temperature (°C)</b>	25+/-3
<b>Laser head</b>	146(L) x58(W) x45(H) mm <sup>3</sup> , 0.7 kg
<b>Power supply (90-240VAC)</b>	<b>Elite Power Supply (Y=E):</b> 171(L) x130(W) x62.2(H) mm <sup>3</sup> , 1.2kg; complete FDA compliant features (turnkey switch and interlock); easy to operate; CW mode with optional TTL or Analog modulation up to 30kHz  <b>Laboratory Power Supply (Y=L):</b> 188.6(L) x155(W) x92(H) mm <sup>3</sup> , 1.5kg; complete FDA compliant features (turnkey switch and interlock) with more functions; CW mode with adjustable output power knob, operating current LED display, and optional TTL or Analog modulation up to 30kHz
<b>Optional modulation</b>	None (Q=0) <b>TTL:</b> 1Hz -1kHz (Q=1), 1kHz -10kHz (Q=2), 10kHz-30kHz (Q=5) <b>Analog:</b> 1Hz -1kHz (Q=3), 1kHz -10kHz (Q=4), 10kHz-30kHz (Q=6)
<b>Expected lifetime (hours)</b>	10,000
<b>Warranty</b>	10 months
<b>Remarks</b>	1. The stability of output power may change when you adjust the output power. For example, the stability of output power at the maximum output power is <10%; the stability may change to >10% when you adjust the output power down. 2. The laser head needs to be used on a heat sink with good heat dissipation.

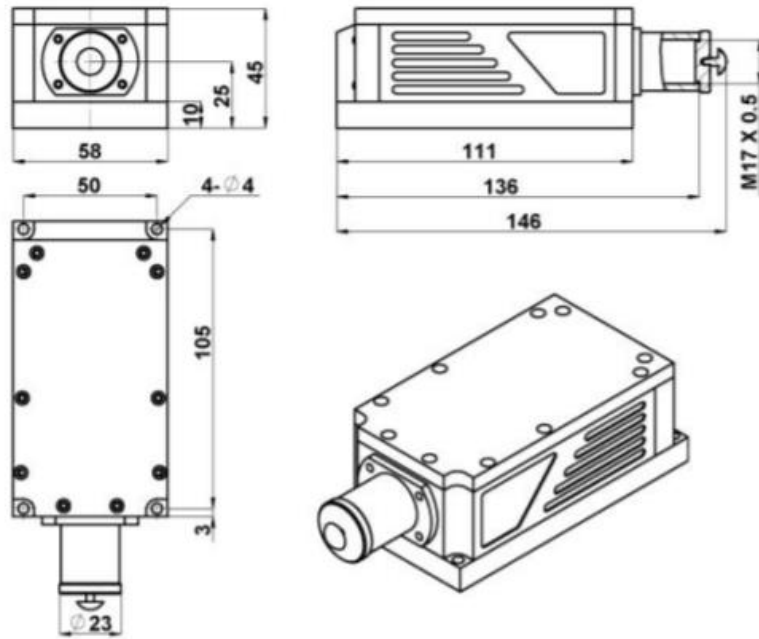
**Note: The above specifications are subject to change without notice.**





MECHANICAL OUTLINE (unit: mm)

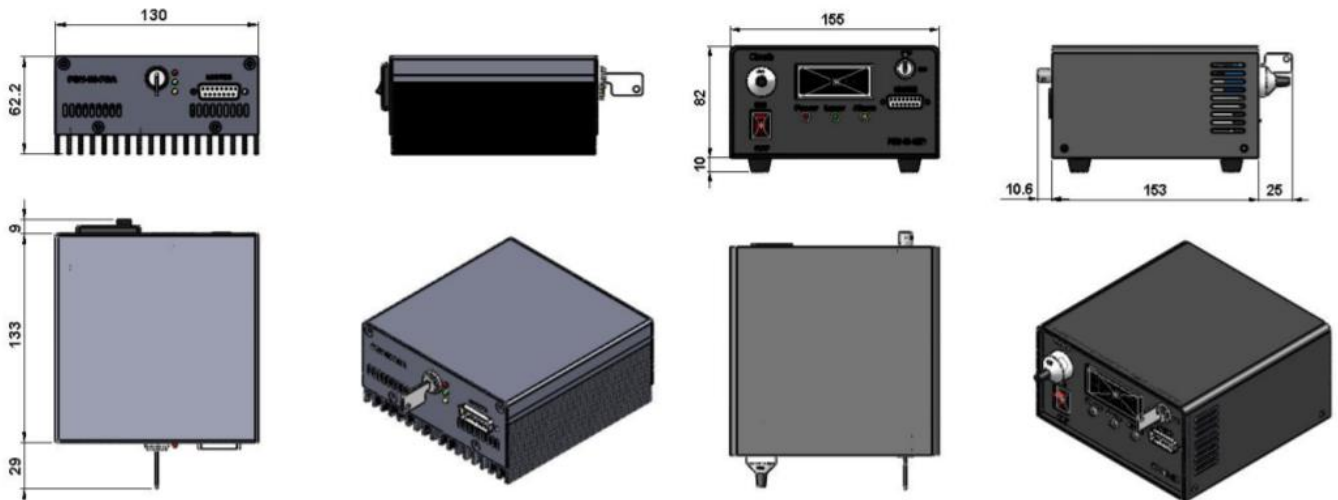
Laser Head



Power Supply

Elite Power Supply (Y=E)

Laboratory Power Supply (Y=L)



Note: The above specifications are subject to change without notice.

