



Model No. DLTF-405-XFYDQ
405nm TEM₀₀ DIODE LASER UP TO >30mW

The DLTF-series 405 nm diode laser is constructed with features of TEM00 mode, FDA compliance, ultra-compactness, long lifetime, cost-effectiveness, and easy operation. It is widely used in measurement, communication, spectrum analysis, and many other applications.

SPECIFICATIONS

Model No.	DLTF-405-XFYDQ
Wavelength (nm)	405±5
Output power (mW)	>10 (X=10), >30 (X=30)
Transverse mode	TEM ₀₀
Operating mode	CW
Power stability (rms, over 4 hours) 25°C	<1%
Ellipticity	>0.95
M² factor	<1.1
Dimensions of beam at aperture (1/e², mm)	~1.0
Beam divergence, full angle (mrad)	<1.5
Warm-up time (minutes)	<5
Beam height from base plate (mm)	25
Operating temperature (°C)	25+/-3
Laser head	146(L) x58(W) x45(H) mm ³ , 0.7 kg
Power supply (90-240VAC)	Elite Power Supply (Y=E): 171(L) x130(W) x62.2(H) mm ³ , 1.2kg; complete FDA compliant features (turnkey switch and interlock); easy to operate; CW mode with optional TTL or Analog modulation up to 30kHz Laboratory Power Supply (Y=L): 188.6(L) x155(W) x92(H) mm ³ , 1.5kg; complete FDA compliant features (turnkey switch and interlock) with more functions; CW mode with adjustable output power knob, operating current LED display, and optional TTL or Analog modulation up to 30kHz
Optional modulation	None (Q=0) TTL: 1Hz -1kHz (Q=1), 1kHz -10kHz (Q=2), 10kHz-30kHz (Q=5) Analog: 1Hz -1kHz (Q=3), 1kHz -10kHz (Q=4), 10kHz-30kHz (Q=6)
Expected lifetime (hours)	10,000
Warranty	10 months
Remarks	1. The stability of output power may change when you adjust the output power. For example, the stability of output power at the maximum output power is <10%; the stability may change to >10% when you adjust the output power down. 2. The laser head needs to be used on a heat sink with good heat dissipation.

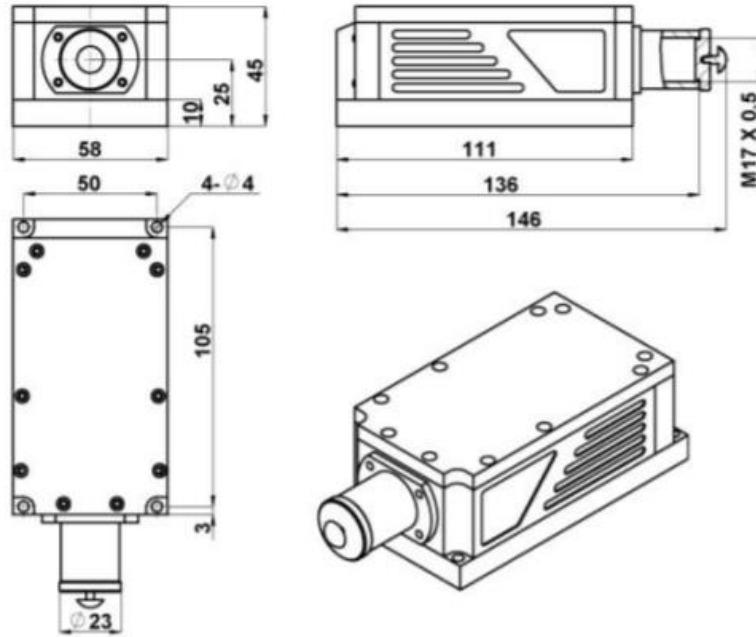
Note: The above specifications are subject to change without notice.





MECHANICAL OUTLINE (unit: mm)

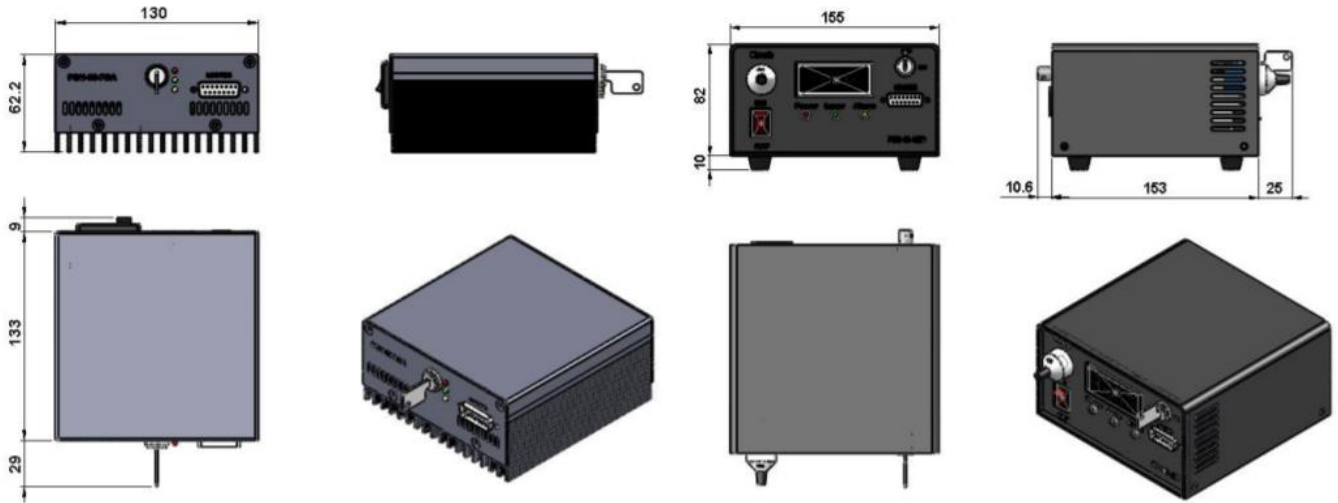
Laser Head



Power Supply

Elite Power Supply (Y=E)

Laboratory Power Supply (Y=L)



Note: The above specifications are subject to change without notice.

