



**Model No. DLNE-637-XFYP
NARROW LINEWIDTH 637nm DIODE LASER UP TO >80mW**

The DLNE-series 637 nm diode laser is constructed with features of narrow spectral linewidth, stable wavelength, long lifetime and easy operation. It is widely used in precision measurement, high resolution spectrum analysis and many other applications. Housed in ultra-compact packaging, this laser is the ideal choice for OEM instrumentation, systems design and integration, and end user applications in research and development.

SPECIFICATIONS

Model No.	DLNE-637-XFYP
Wavelength (nm)	637±5
Output power (mW)	>10 (X=10), >30 (X=30), >50 (X=50), >80 (X=80)
Transverse mode	Near TEM ₀₀
Operating mode	CW
Spectral linewidth (nm)	<0.06
Power stability (rms, over 4 hours)	<1% (P=D)
M² factor	<1.5
Beam diameter at aperture (1/e², mm)	~3.0
Beam divergence, full angle (mrad)	<1.0
Polarization ratio	>50:1, Horizontal ±5 degree
Warm-up time (minutes)	<5
Beam height from base plate (mm)	30
Operating temperature (°C)	20~30
Laser head	122.5(L) x65(W) x50(H) mm ³ , 1.0 kg
Power supply (90-260VAC)	Elite Power Supply (Y=E): 171(L) x130(W) x62.2(H) mm ³ , 1.2 kg; complete FDA compliant features (turnkey switch and interlock); easy to operate; CW mode
Expected lifetime (hours)	10,000
Warranty	10 months
Remarks	The stability of output power may change when you adjust the output power. For example, the stability of output power at the maximum output power is <10%, the stability may change to >10% when you adjust the output power down.

Note: The above specifications are subject to change without notice.



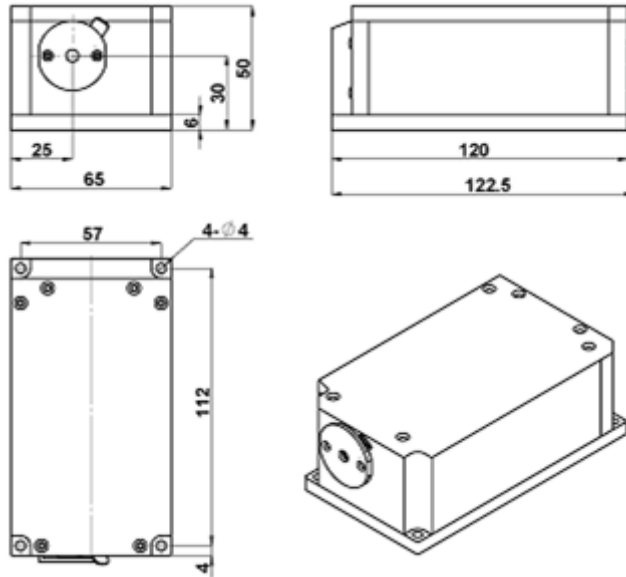


LASERMATE GROUP, INC.

The Friend of Lasers

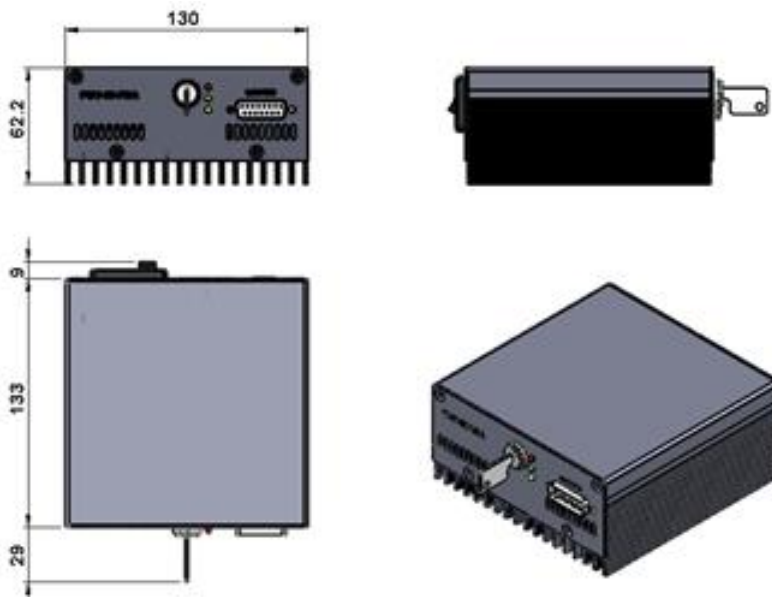
MECHANICAL OUTLINE (unit: mm)

Laser Head



Power Supply

Elite Power Supply (Y=E)



Note: The above specifications are subject to change without notice.



19608 Camino De Rosa, Walnut, CA 91789, USA | Tel: (909)718-0999 | Fax: (909)718-0998 |

E-mail: info@lasermate.com | URL: <http://www.lasermate.com>