



**LASERMATE GROUP, INC.**

**The Friend of Lasers**

**Model No. DLNE-1060-XFYP**  
**NARROW LINEWIDTH 1060nm DIODE LASER UP TO >40mW**

The DLNE-series 1060 nm diode laser is constructed with features of narrow spectral linewidth, stable wavelength, long lifetime and easy operation. It is widely used in precision measurement, high resolution spectrum analysis and many other applications. Housed in ultra-compact packaging, this laser is the ideal choice for OEM instrumentation, systems design and integration, and end user applications in research and development.

**SPECIFICATIONS**

<b>Model No.</b>	<b>DLNE-1060-XFYP</b>
<b>Wavelength (nm)</b>	1060±10
<b>Output power (mW)</b>	>10 ( <b>X=10</b> ), >20 ( <b>X=20</b> ), >40 ( <b>X=40</b> )
<b>Transverse mode</b>	Near TEM <sub>00</sub>
<b>Operating mode</b>	CW
<b>Spectral linewidth (nm)</b>	<0.06
<b>Power stability (rms, over 4 hours)</b>	<1% ( <b>P=D</b> )
<b>M<sup>2</sup> factor</b>	<1.5
<b>Beam diameter at aperture (1/e<sup>2</sup>, mm)</b>	~3.5
<b>Beam divergence, full angle (mrad)</b>	<1.0
<b>Warm-up time (minutes)</b>	<5
<b>Beam height from base plate (mm)</b>	30
<b>Operating temperature (°C)</b>	20~30
<b>Laser head</b>	122.5(L) x65(W) x50(H) mm <sup>3</sup> , 1.0 kg
<b>Power supply (90-260VAC)</b>	<b>Elite Power Supply (Y=E):</b> 171(L) x130(W) x62.2(H) mm <sup>3</sup> , 1.2 kg; complete FDA compliant features (turnkey switch and interlock); easy to operate; CW mode
<b>Expected lifetime (hours)</b>	10,000
<b>Warranty</b>	10 months
<b>Remarks</b>	The stability of output power may change when you adjust the output power. For example, the stability of output power at the maximum output power is <10%, the stability may change to >10% when you adjust the output power down.

**Note: The above specifications are subject to change without notice.**



19608 Camino De Rosa, Walnut, CA 91789, USA | Tel: (909)718-0999 | Fax: (909)718-0998 |

E-mail: [info@lasermate.com](mailto:info@lasermate.com) | URL: <http://www.lasermate.com>

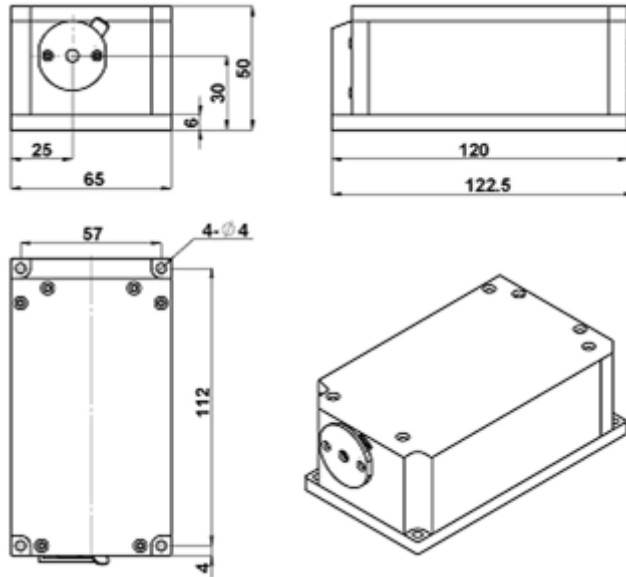


**LASERMATE GROUP, INC.**

**The Friend of Lasers**

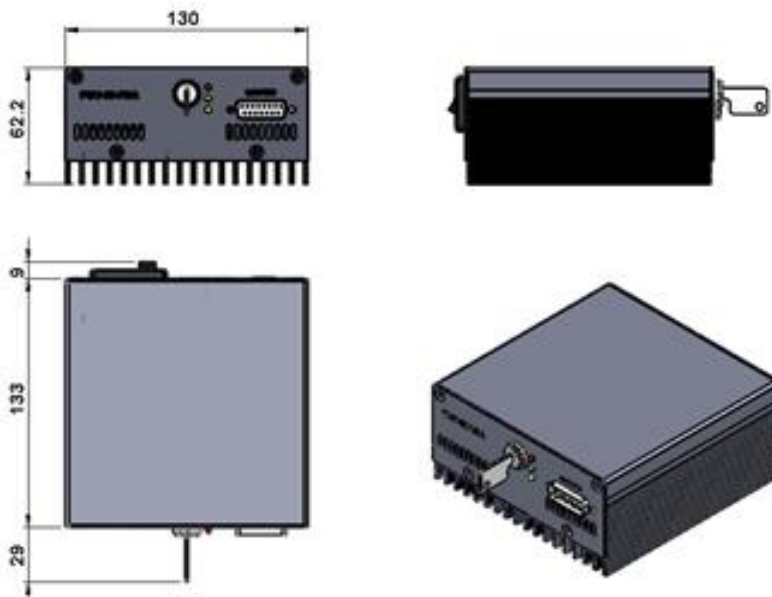
**MECHANICAL OUTLINE (unit: mm)**

**Laser Head**



**Power Supply**

**Elite Power Supply (Y=E)**



**Note: The above specifications are subject to change without notice.**



19608 Camino De Rosa, Walnut, CA 91789, USA | Tel: (909)718-0999 | Fax: (909)718-0998 |

E-mail: [info@lasermate.com](mailto:info@lasermate.com) | URL: <http://www.lasermate.com>