

**Model No. BMLF-465-XFYPZQ**  
**465nm BLUE DIODE LASER SYSTEM UP TO >2000mW**

The BMLF-series 465 nm blue diode laser is constructed with features of high stability, low noise option, FDA compliance, high power, ultra-compactness, long lifetime, cost-effectiveness and easy operating. It is widely used in scientific research and many other applications. *In addition, fiber coupled BMLF-series 465nm diode lasers with FC or SMA905 connector are available upon request.*

**SPECIFICATIONS**

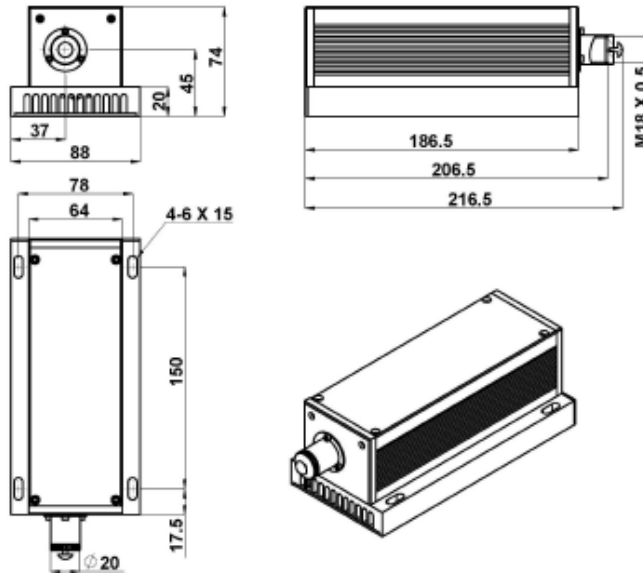
<b>Model No.</b>	<b>BMLF-465-XFYPZQ</b>
<b>Wavelength (nm)</b>	465±5
<b>Output power (mW)</b>	>1000 (X=1W), >2000 (X=2W)
<b>Transverse mode</b>	Multimode
<b>Operating mode</b>	CW
<b>Power stability (rms, over 4 hours)</b>	<1% (P=D)
<b>Noise of amplitude (rms, 20Hz~20MHz)</b>	<1% for Low Noise (Z=1); >1% (Z=2)
<b>Beam diameter at aperture (1/e<sup>2</sup>, mm)</b>	~2.7x2.7
<b>Beam divergence, full angle (mrad)</b>	1.4x0.2
<b>Polarization ratio</b>	>50:1, Horizontal ±5 degree
<b>Warm-up time (minutes)</b>	<5
<b>Beam height from base plate (mm)</b>	45
<b>Operating temperature (°C)</b>	10~35
<b>Laser head</b>	216.5(L) x88(W) x74(H) mm <sup>3</sup> , 1.4 kg
<b>Power supply (90-240VAC)</b>	<p><b>High Power Elite Power Supply (Y=H):</b> 275(L) x145(W) x104(H) mm<sup>3</sup>, 2.1kg; complete FDA compliant features (turnkey switch and interlock); easy to operate; CW mode with optional TTL or Analog modulation up to 30kHz</p> <p><b>High Power Laboratory Power Supply (Y=M):</b> 277(L) x145(W) x106(H) mm<sup>3</sup>, 2.3kg; complete FDA compliant features (turnkey switch and interlock) with more functions; CW mode with adjustable output power knob, operating current LED display, and optional TTL or Analog modulation up to 30kHz</p>
<b>Optional modulation</b>	<p>None (Q=0)</p> <p><b>TTL:</b> 1Hz -1kHz (Q=1), 1kHz -10kHz (Q=2), 10kHz-30kHz (Q=5)</p> <p><b>Analog:</b> 1Hz -1kHz (Q=3), 1kHz -10kHz (Q=4), 10kHz-30kHz (Q=6)</p>
<b>Expected lifetime (hours)</b>	10,000
<b>Warranty</b>	10 months
<b>Remarks</b>	The stability of output power may change when you adjust the output power. For example, the stability of output power at the maximum output power is <10%, the stability may change to >10% when you adjust the output power down.

**Note: The above specifications are subject to change without notice.**



MECHANICAL OUTLINE (unit: mm)

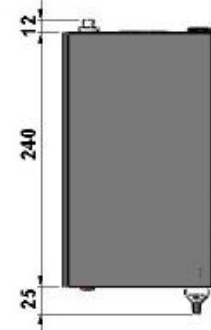
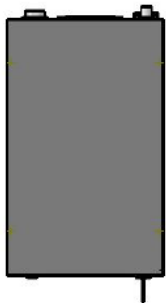
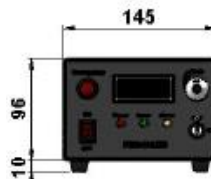
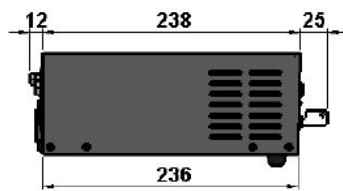
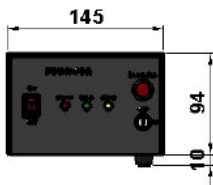
Laser Head



Power Supply

High Power Elite Power Supply (Y=H)

High Power Laboratory Power Supply (Y=M)



Note: The above specifications are subject to change without notice.