



Model No. BMLF-445-XFYPZQ
445nm BLUE DIODE LASER SYSTEM UP TO >3500mW

The BMLF-series 445 nm blue diode laser is constructed with features of high stability, low noise option, FDA compliance, high power, ultra-compactness, long lifetime, cost-effectiveness and easy operating. It is widely used in scientific research, laser pointing and RGB mixed laser systems applications. In addition, fiber coupled BMLF-series 445nm diode lasers with FC or SMA905 connector are available upon request.

SPECIFICATIONS

Table with 2 columns: Specification Name and Value. Rows include Model No., Wavelength (nm), Output power (mW), Transverse mode, Operating mode, Power stability (rms, over 4 hours), Noise of amplitude (rms, 20Hz~20MHz), Beam diameter at aperture (1/e^2, mm), Beam divergence, full angle (mrad), Polarization ratio, Warm-up time (minutes), Beam height from base plate (mm), Operating temperature (°C), Laser head, Power supply (90-240VAC), Optional modulation, Expected lifetime (hours), Warranty, and Remarks.

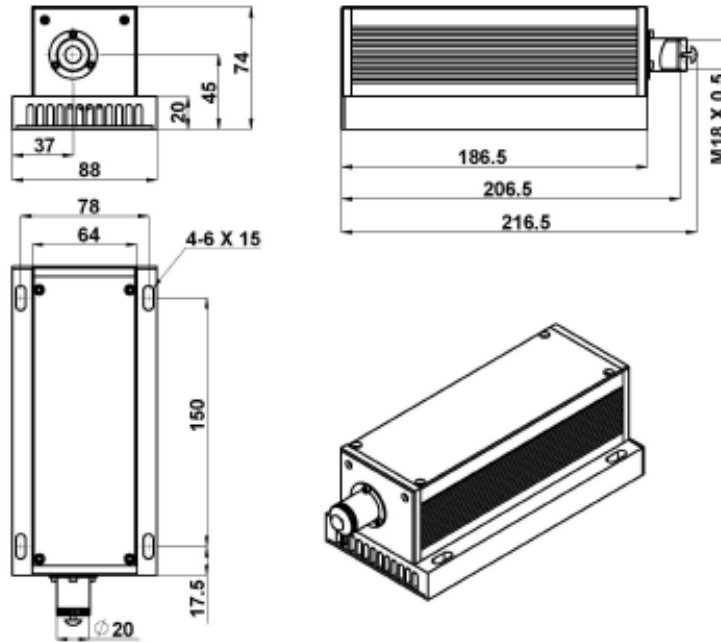
Note: The above specifications are subject to change without notice.





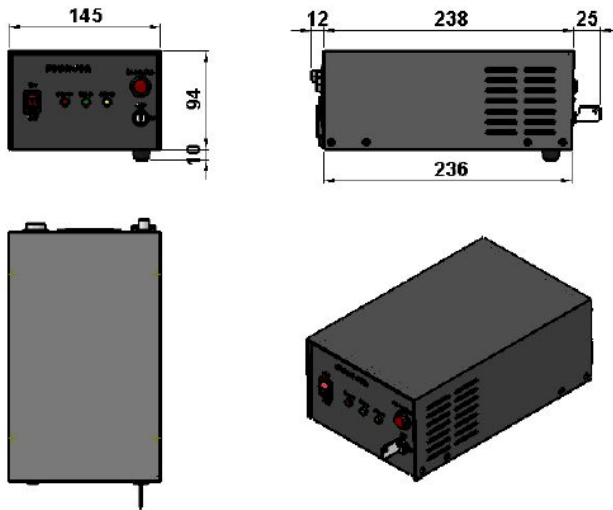
MECHANICAL OUTLINE (unit: mm)

Laser Head

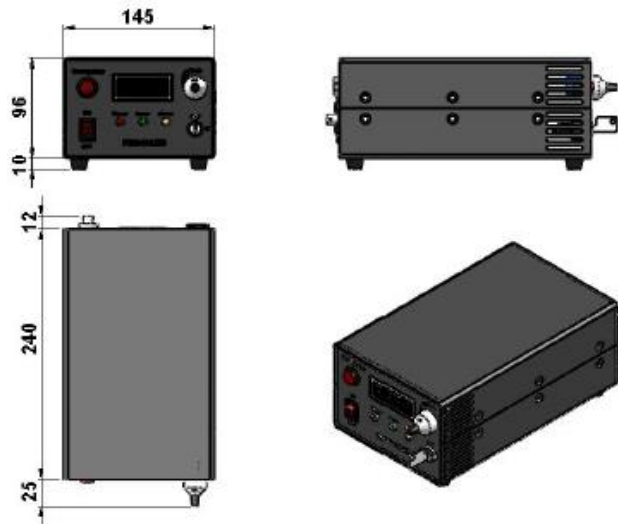


Power Supply

High Power Elite Power Supply (Y=H)



High Power Laboratory Power Supply (Y=M)



Note: The above specifications are subject to change without notice.