

**Model No. BML-447-XFYPZQ
447nm BLUE DIODE LASER SYSTEM UP TO >1000mW**

The BML-series 447 nm blue diode laser is constructed with features of high stability, low noise option, FDA compliance, ultra-compactness, long lifetime, cost-effectiveness and easy operating. It is widely used in measurement, communication, scientific research, laser pointing and RGB mixed laser systems applications. *In addition, fiber coupled BML-series 447nm diode lasers with FC or SMA905 connector are available upon request.*

SPECIFICATIONS

Model No.	BML-447-XFYPZQ
Wavelength (nm)	447±5
Output power (mW)	>200 (X=200), >500 (X=500), >1000 (X=1W)
Transverse mode	Multimode
Operating mode	CW
Power stability (rms, over 4 hours)	<0.5% (P=S), <1% (P=D)
Noise of amplitude (rms, 20Hz~20MHz)	<1% for Low Noise (Z=1); >1% (Z=2)
Beam diameter at aperture (1/e², mm)	<2.5x5.2 for X=200 ; <2x5 for X=500, 1W
Beam divergence, full angle (mrad)	<2.1x1.6 for X=200 ; <2.5x0.2 for X=500, 1W
Warm-up time (minutes)	<5
Beam height from base plate (mm)	24.8
Operating temperature (°C)	10~35
Laser head	143.5(L) x73(W) x46.2(H) mm ³ , 0.7 kg
Power supply (90-240VAC)	Elite Power Supply (Y=E): 171(L) x130(W) x62.2(H) mm ³ , 1.2kg; complete FDA compliant features (turnkey switch and interlock); easy to operate; CW mode with optional TTL or Analog modulation up to 30kHz Laboratory Power Supply (Y=L): 188.6(L) x155(W) x92(H) mm ³ , 1.5kg; complete FDA compliant features (turnkey switch and interlock) with more functions; CW mode with adjustable output power knob, operating current LED display, and optional TTL or Analog modulation up to 30kHz
Optional modulation	None (Q=0) TTL: 1Hz -1kHz (Q=1), 1kHz -10kHz (Q=2), 10kHz-30kHz (Q=5) Analog: 1Hz -1kHz (Q=3), 1kHz -10kHz (Q=4), 10kHz-30kHz (Q=6)
Expected lifetime (hours)	10,000
Warranty	10 months
Remarks	The stability of output power may change when you adjust the output power. For example, the stability of output power at the maximum output power is <10%, the stability may change to >10% when you adjust the output power down.

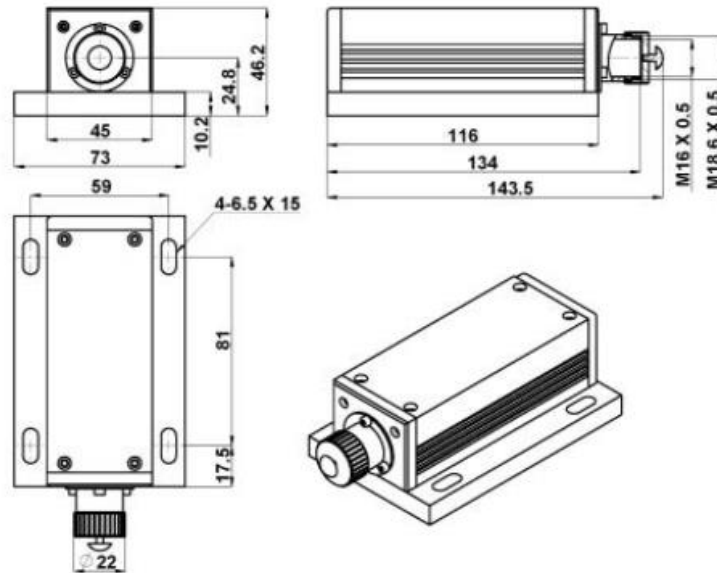
Note: The above specifications are subject to change without notice.





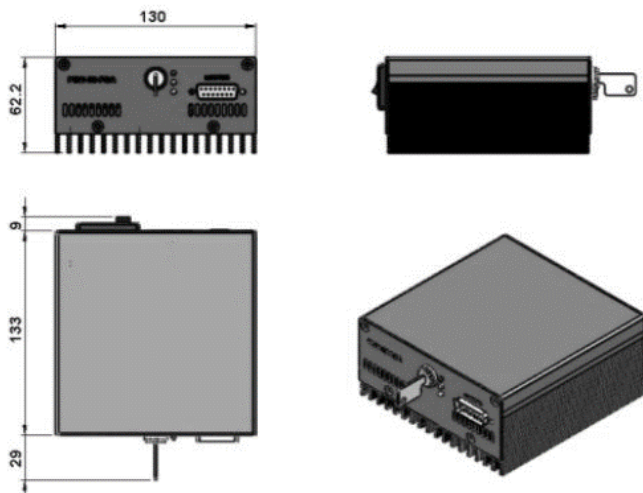
MECHANICAL OUTLINE (unit: mm)

Laser Head

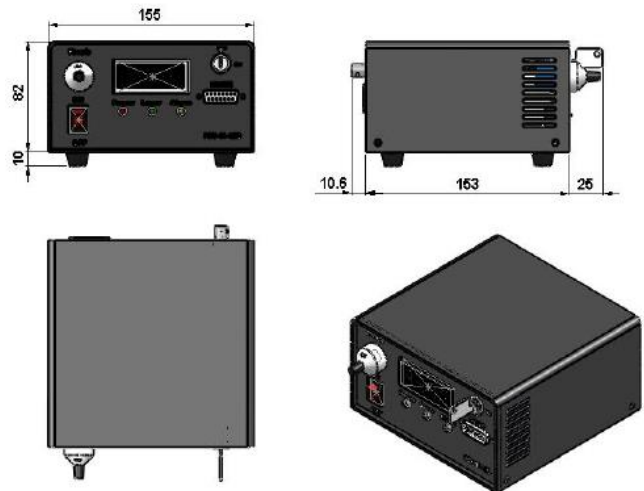


Power Supply

Elite Power Supply (Y=E)



Laboratory Power Supply (Y=L)



Note: The above specifications are subject to change without notice.